

# Options - Framed Louvres

Louvres

Sheet 6.6.0.2 -1- Version 13/06/2022

Louvres will be a prefabricated system consisting of louvres blades complete with suitable supports. The louvre design is optimised by giving due consideration to the pressure drop and air flow. The louvre blades are of a profiled type and fixed by bolting the louvre blades to the vertical aluminium or stainless steel brackets. Materials for louvres blades in pre-coated galvanised steel or stainless steel.

## Framed louvres

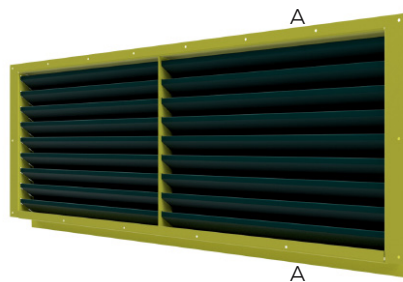
Framing for louvres is complete with louvre blades installed. Material for framing 2.0 mm stainless steel framing (no further surface treatment). Material for louvre blades 0.75 mm galvanised steel HPS Plastisol coated in standard RAL color - internal side primer provided with offshore powder coating system in color RAL9002.

Framing for louvres is complete with louvre blades installed. Material for framing 2.0 mm stainless steel framing (no further surface treatment). Material for louvre blades 0.8 mm stainless steel 316L.

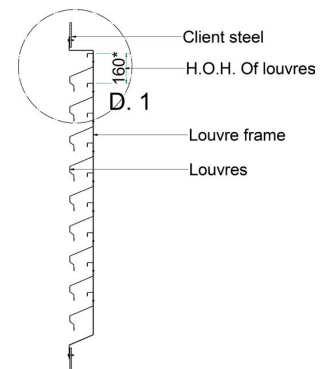
## Overview



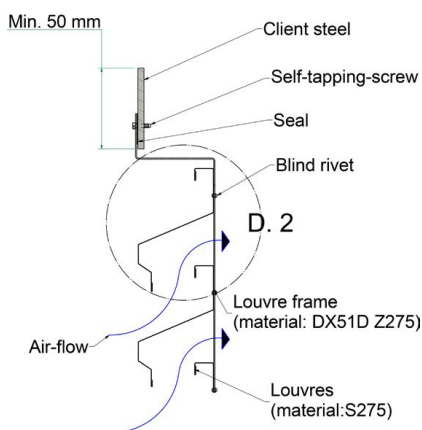
3D view



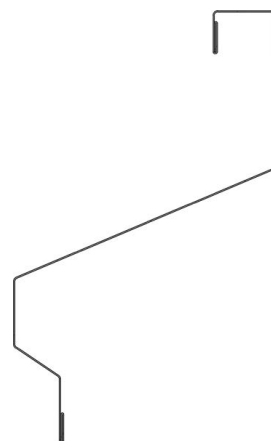
Front view



Section A-A



Detail 1



Detail 2